



**NEW!** 25-YEAR LINEAR  
PERFORMANCE AND  
PRODUCT WARRANTY  
EXTENDED TO 5 YEARS\*

Length 1675 mm  
Width 1001 mm  
Height 1) 31 mm  
Frame Aluminium  
Weight 22 kg

# Sunmodule<sup>+</sup>®

## SW 220/225/230/235 POLY

### German Quality

Using SolarWorld, you opt for brand-name products of the highest quality, manufactured according to German quality standards.

### Award-winning products

SolarWorld modules received top honors in two independent performance tests: Ranked #1 module for the past two consecutive years in the long-term test carried out by the Photon trade magazine and in "Öko Test" for sustainability, SW 225 poly was graded "very good".

### SolarWorld Plus Sorting

Plus Sorting guarantees the highest efficiency of the installation. SolarWorld only delivers modules that have greater than or equal to the nameplate rated power.

### 25 year Linear Performance Guarantee\*

SolarWorld guarantees, over 25 years, that the modules' performance will not decrease by more than 0.7% p.a. – a distinct added value compared to the two-tiered guarantees usual in the industry. In addition, there is a product warranty extended to 5 years.

\*according to the Solar World service certificate valid at the time of purchase  
[www.solarworld-global.com/service-certificate](http://www.solarworld-global.com/service-certificate)



**We turn sunlight into power.**

# Sunmodule<sup>+</sup>

## SW 220/225/230/235 POLY

### PERFORMANCE UNDER STANDARD TEST CONDITIONS (STC\*)

		SW 220	SW 225	SW 230	SW 235
Maximum power	$P_{max}$	220 Wp	225 Wp	230 Wp	235 Wp
Open circuit voltage	$U_{oc}$	36,6 V	36,8 V	36,9 V	37,0 V
Maximum power point voltage	$U_{mpp}$	29,2 V	29,5 V	29,8 V	30,0 V
Short-circuit current	$I_{sc}$	8,08 A	8,17 A	8,25 A	8,35 A
Maximum power point current	$I_{mpp}$	7,54 A	7,63 A	7,72 A	7,85 A

\*STC: 1000W/m<sup>2</sup>, 25°C, AM 1.5

### PERFORMANCE AT 800 W/M<sup>2</sup>, NOCT, AM 1.5

		SW 220	SW 225	SW 230	SW 235
Maximum power	$P_{max}$	157,3 Wp	160,9 Wp	164,4 Wp	170,4 Wp
Open circuit voltage	$U_{oc}$	33,1 V	33,3 V	33,4 V	33,5 V
Maximum power point voltage	$U_{mpp}$	26,2 V	26,5 V	26,7 V	27,1 V
Short-circuit current	$I_{sc}$	6,68 A	6,75 A	6,82 A	6,73 A
Maximum power point current	$I_{mpp}$	6,01 A	6,08 A	6,15 A	6,28 A

Minor reduction in efficiency under partial load conditions at 25°C: at 200W/m<sup>2</sup>, 95% (+/-3%) of the STC efficiency (1000 W/m<sup>2</sup>) is achieved.

### COMPONENT MATERIALS

Cells per module	60
Cell type	Poly crystalline
Cell dimensions	156 mm x 156 mm
Front	tempered glass (EN12150)

### SYSTEM INTEGRATION PARAMETERS

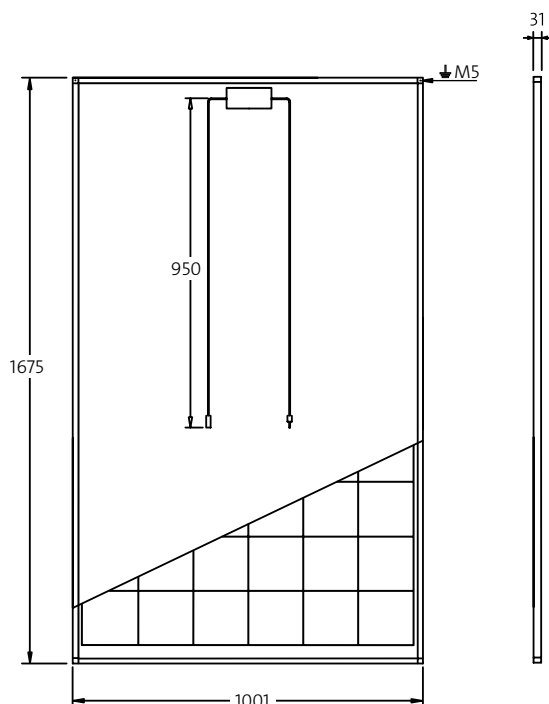
Maximum system voltage SC II	1000 V
Maximum reverse current	16 A
Increased Snowload acc. to IEC 61215	5,4 kN/m <sup>2</sup>

### THERMAL CHARACTERISTICS

NOCT	46 °C
TC $I_{sc}$	0,034 %/K
TC $U_{oc}$	-0,34 %/K
TC $P_{mpp}$	-0,48 %/K

### ADDITIONAL DATA

Power tolerance	+/- 3 %
Junction box	IP65
Connector	MC4
SolarWorld Plus-Sorting 2)	$P_{Flash} \geq P_{max}$



- Qualified, IEC 61215
- Safety tested, IEC 61730
- Periodic Inspection



- 1) Temporarily, also modules with a frame height of 34mm can be supplied. Please inquire with your specialist dealer.
  - 2) The output identified by SolarWorld ( $P_{Flash}$ ) is always higher than the nominal output ( $P_{max}$ ) of the module.
  - 3) depending on the market
- SolarWorld AG reserves the right to make specification changes without notice. This data sheet complies with the requirements of EN 50380.